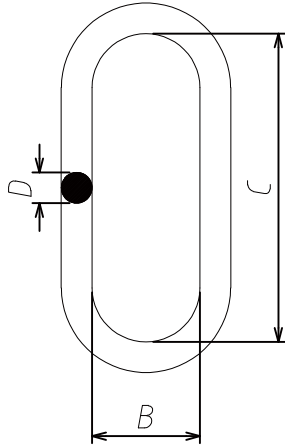


RING

Leading The Way Of Precision Manufacturing

1. A342 Master Link



Part No.	Size (in.)	W.L.L (t)	Weight (kg)	Dimension (mm)		
				B	C	D
TKR0681	1/2	2.8	0.36	63.5	127	13
TKR0682	5/8	3.15	0.7	66	152	16
TKR0683	3/4	4.25	0.93	70	140	19
TKR0684	7/8	5.3	1.5	90	160	22
TKR0685	1	11.2	2.1	99	178	25
TKR0686	1-1/4	16	4.24	111	222	32
TKR0687	1-1/2	21.2	7.17	135	267	38
TKR0688	1-3/4	21.2	11.55	152	305	45
TKR0689	2	31.5	17.2	178	355	51
TKR0690	2-1/4	45	24.5	203	406	57
TKR0691	2-1/2	72.6	30.9	203	406	63.5
TKR0692	2-3/4	98.4	39.5	241	406	70
TKR0693	3	103	50.34	228	457	76
TKR0694	3-1/4	119	65.68	254	508	82.5
TKR0695	3-1/2	126	90.24	254	508	89
TKR0696	3-3/4	152	89.27	254	508	95
TKR0697	4	159	103.43	254	508	102
TKR0698	4-1/4	160	137	305	610	108
TKR0699	4-1/2	163	156	356	711	114
TKR0700	4-3/4	176	198	356	711	121
TKR0701	5	179	234	381	762	127

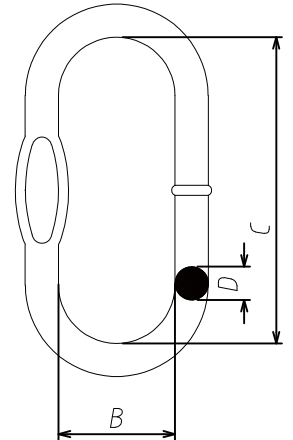
2.A343 European Type Master Link with Flat

Part No.	Chain Size(mm)		W.L.L (t)	Weight (kg)	Dimension (mm)		
	For 1 leg	For 2 legs			B	C	D
TKR0702	7	6	1.6	0.34	60	110	13
TKR0703	8	7	2.12	0.54	60	110	16
TKR0704	10	8	3.15	0.82	75	135	18
TKR0705	13	10	5.3	1.50	90	160	22
TKR0706	16	13	8	2.32	100	180	26
TKR0707	18	16	11.2	3.95	110	200	32
TKR0708	20	18	14	6.34	140	260	36
TKR0709	22	20	17	8.96	160	300	40
TKR0710	26	22	21.2	12.81	180	340	45
TKR0711	32	26	31.5	16.55	190	350	50
TKR0712	36	32	45	23.28	200	400	56
TKR0713	40	36	56	32.00	220	430	63
TKR0714	45	40	63	45.76	250	460	72

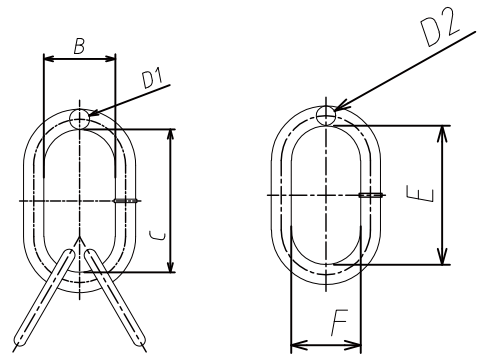


3.A344 US Type Master Link

Part No.	Size (in.)	W.L.L (t)	Weight (kg)	Dimension (mm)		
				B	C	D
TKR0715	7/16	1.6	0.27	60	100	12
TKR0716	1/2	2.12	0.38	60	100	14
TKR0717	11/16	3.15	0.85	90	160	18
TKR0718	3/4	5.3	1.2	90	160	20
TKR0719	7/8	8	1.63	100	180	22
TKR0720	1	11.2	2.13	100	180	25
TKR0721	1-1/8	12.5	3.81	140	270	28
TKR0722	1-1/4	16	5.05	140	270	32
TKR0723	1-3/8	21.2	6.83	155	285	36
TKR0724	1-1/2	25	8.9	160	300	40
TKR0725	1-3/4	31.5	12.8	180	340	45
TKR0726	2	45	17.3	215	390	51



Ring

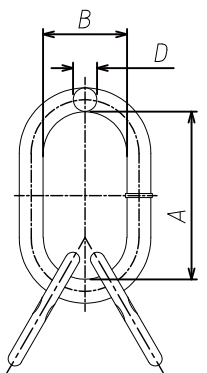


4.A345 US Type Master Link Assembly

Part No.	Size (in.)	Weight (kg)	W.L.L (t)	Dimension (mm)					
				C	B	E	F	D1	D2
TKR0727	3/4	1.55	4.25	140	70	85	40	20	14
TKR0728	7/8	2.18	6.7	160	95	85	40	22	14
TKR0729	1	3.29	6.7	178	89	100	60	25	18
TKR0730	1-1/4	7.18	17	220	110	100	60	32	22
TKR0731	1-1/2	12.91	23.6	267	135	180	100	38	30
TKR0732	1-3/4	21.25	31.5	305	152	180	100	45	32
TKR0733	2	30.34	31.5	356	178	180	100	50	38
TKR0734	2-1/2	64.40	45	406	203	355	178	64	51
TKR0735	2-3/4	89.00	67	406	241	406	203	70	57

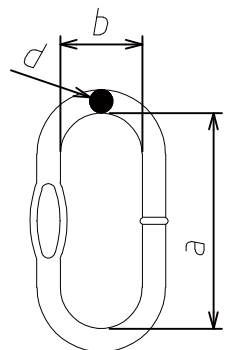
5.A346 Master Link Assembly with Flat

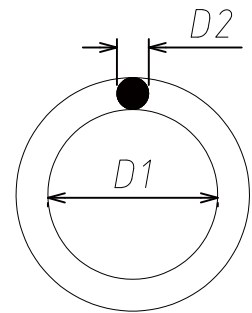
Part No.	Size (mm)	Weight (kg)	W.L.L (t)	Dimension (mm)					
				A	B	D	a	b	d
TKR0736	6	1.18	2.36	135	75	18	54	25	13
TKR0737	7	1.24	3.15	135	75	18	60	38	13
TKR0738	8	2.20	4.25	160	90	22	70	34	16
TKR0739	10	3.40	6.7	180	100	26	85	40	18
TKR0740	13	6.10	11.2	200	110	32	115	50	22
TKR0741	16	9.98	17	260	140	36	140	65	26
TKR0742	18	18.90	21.2	340	180	45	180	100	32
TKR0743	20	22.60	26.5	350	190	50	180	100	32
TKR0744	22	25.20	31.5	350	190	50	180	100	36
TKR0745	26	35.20	45	400	200	56	180	100	40
TKR0746	28	47.00	50	430	220	63	180	100	45
TKR0747	32	66.46	63	460	250	72	200	110	50



6. A347 US Type Master Link Assembly(Welded)

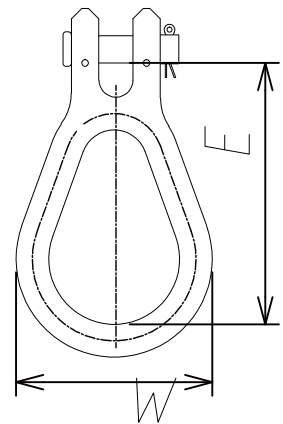
Part No.	Size (in.)	Weight (kg)	W.L.L (t)	Dimension (mm)					
				A	B	D	a	b	d
TKR0748	1/2	0.82	2.36	100	60	14	85	40	12
TKR0749	11/16	1.6	3.15	160	90	18	100	60	14
TKR0750	5/8	1.6	3.15	160	90	18	100	60	14
TKR0751	3/4	1.95	4.25	160	90	20	100	60	14
TKR0752	7/8	3.16	6.7	180	100	22	150	70	18
TKR0753	1-1/8	6.75	11.2	270	140	28	160	90	22
TKR0754	1-1/4	9.31	17	270	140	32	180	100	25
TKR0755	1-1/2	18.4	23.6	300	160	40	270	140	31
TKR0756	1-3/4	26.6	31.5	340	180	45	285	155	36
TKR0757	2	42.91	45	350	190	51	340	180	45





7. G80 Weldless Round Rings

Part No.	Size (in.)	W.L.L (lbs.)	Weight (lbs.)	Dimensions (in.)	
				D1	D2
TKR0758	7/8x4	7200	2.72	4	0.88
TKR0759	7/8x5-1/2	5600	3.47	5.5	0.88
TKR0760	1x4	10800	3.69	4	1
TKR0761	1-1/8x6	10400	6.6	6	1.13
TKR0762	1/4x5	17000	6.82	5	1.25
TKR0763	1-3/8x6	19000	10.12	6	1.38

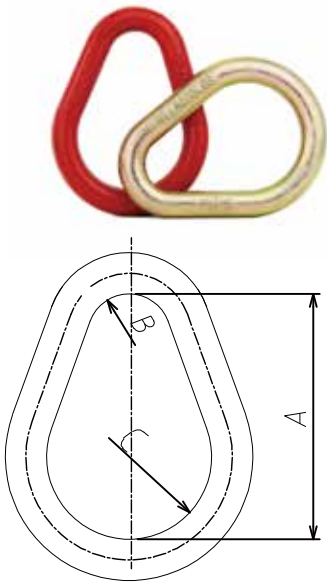


8. Clevis Pear Shaped Ring

Part No.	Chain Size (mm)	Dimension (mm)		Weight (kg)	W.L.L (t)
		E	W		
TKR0764	7/8	39	90	0.26	2.5
TKR0765	10	49	108	0.5	4
TKR0766	13	62.5	138	1.1	6.8
TKR0767	16	79	180	2.55	10.3

Ring

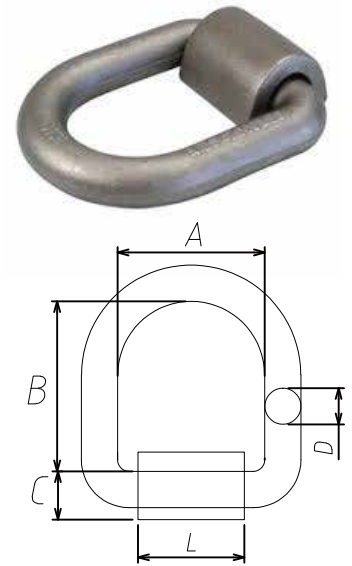
9. G80 Forged Pear Shape Link



Part No.	Size (mm)	W.L.L(t)		Weight (kg)	Dimension(mm)		
		Carbon(6:1)	Alloy(5:1)		A	B	C
TKR0768	10	0.8	1.6	0.2	57.2	19.0	38.2
TKR0769	13	1.3	3.2	0.25	76.2	25.4	50.8
TKR0770	16	1.9	4.0	0.5	95.3	31.8	63.5
TKR0771	19	2.7	5.6	0.8	114.0	38.1	76.2
TKR0772	22	3.8	6.4	1.26	133.4	44.0	89.0
TKR0773	25	4.9	11.0	1.95	152.0	50.0	102.0
TKR0774	28	5.4	13.9	2.92	171.5	57.0	114.3
TKR0775	32	7.6	16.3	3.75	190.5	64.0	127.0
TKR0776	35	9.3	19.5	5.12	209.6	69.8	139.7
TKR0777	38	11.4	24.7	6.5	228.6	76.2	152.4
TKR0778	45	-	38.5	10.2	419.1	88.9	177.8
TKR0779	51	-	46.5	15.3	304.8	101.6	203.2

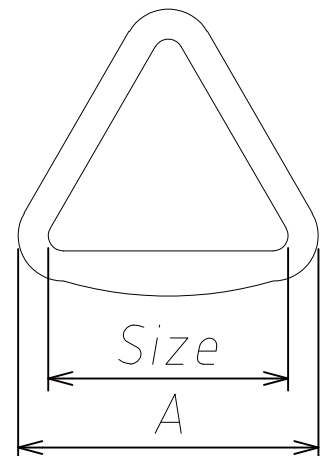
10. D- Ring

Part No.	Size AxBxD	M.B.S (lbs.)	Weight (kg)	Dimension(mm)	
				L	C
TKR0780	2-1/4"x 2-1/2"x 1/2"	12000	0.43	45	16
TKR0781	3"x 3"x 5/8"	18000	0.85	63	22
TKR0782	3"x 3"x 3/4"	26500	1.25	63	25.4
TKR0783	3"x 3"x 1"	47000	1.91	64	30.8
TKR0784	3"x 4"x 1"	47000	2.15	64	30.8



11. Delta Ring

Part No.	Size (in.)	Breaking Strength (t)	A (mm)	Weight (kg)
TKR0785	2	5	80	0.2
TKR0786	3	8.2	109.4	0.36
TKR0787	4	9.1	142	0.62





G401 Swivel Ring



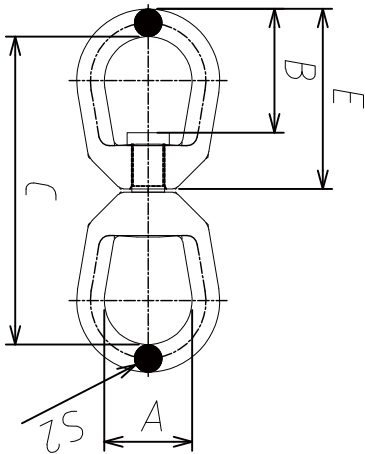
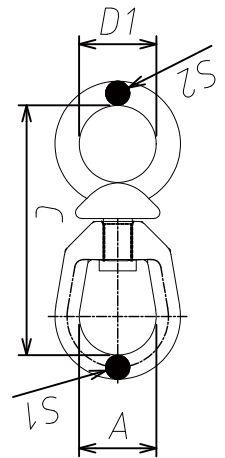
G402 Swivel Ring



G403 Swivel Ring

12. G401 Swivel Ring

Part No.	Size (in.)	Working Load Limit (lbs.)	Weight (lbs.)	Dimensions(in.)				
				A	C	D1	S1	S2
TKR0788	1/4	850	0.13	0.75	2.25	0.62	0.25	0.25
TKR0789	5/16	1250	0.25	1	2.72	0.75	0.31	0.31
TKR0790	3/8	2250	0.61	1.25	3.44	1	0.38	0.38
TKR0791	1/2	3600	1.12	1.5	4.25	1.25	0.5	0.5
TKR0792	5/8	5200	2.09	1.75	5.13	1.5	0.62	0.62
TKR0793	3/4	7200	3.09	2	5.78	1.75	0.75	0.75

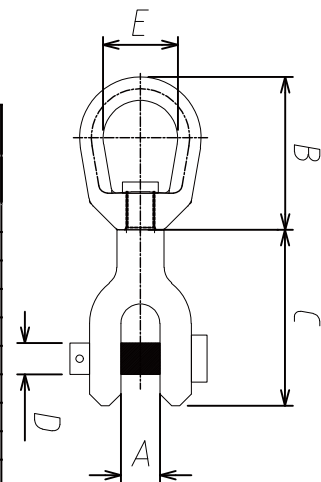


13. G402 Swivel Ring

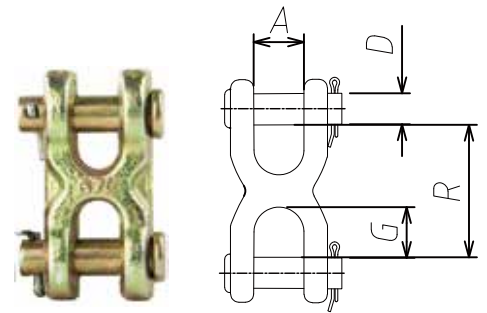
Part No.	Size (in.)	Working Load Limit (lbs.)	Weight (lbs.)	Dimensions(in.)				
				A	B	C	E	S2
TKR0794	1/4	850	0.21	0.75	1.31	2.94	1.69	0.25
TKR0795	5/16	1250	0.39	1	1.56	3.56	2.06	0.31
TKR0796	3/8	2250	0.75	1.25	1.88	4.31	2.5	0.38
TKR0797	1/2	3600	1.32	1.5	2.5	5.44	3.19	0.5
TKR0798	5/8	5200	2.5	1.75	3	6.56	3.88	0.62
TKR0799	3/4	7200	4.13	2	3.38	7.19	4.31	0.75
TKR0800	7/8	10000	6.25	2.25	3.93	8.38	5	0.87
TKR0801	1	12500	8.95	2.5	4.5	9.63	5.75	1
TKR0802	1-1/4	18000	16.37	3.13	4.94	11.44	6.75	1.25
TKR0803	1-1/2	45200	49.06	4	5.69	16.69	9.91	1.5

14. G403 Swivel Ring

Part No.	Size (in.)	Working Load Limit (lbs.)	Weight (lbs.)	Dimensions(in.)				
				A	B	C	D	E
TKR0804	1/4	850	0.21	0.47	1.69	1.69	0.25	0.75
TKR0805	5/16	1250	0.34	0.5	2.06	1.81	0.31	1
TKR0806	3/8	2250	0.66	0.63	2.5	2.25	0.38	1.25
TKR0807	1/2	3600	1.34	0.75	3.19	2.88	0.5	1.5
TKR0808	5/8	5200	2.48	0.94	3.88	3.44	0.63	1.75
TKR0809	3/4	7200	3.88	1.13	4.31	4	0.75	2
TKR0810	7/8	10000	5.87	1.34	5	4.53	0.88	2.25
TKR0811	1	12500	9.84	1.75	5.75	5.94	1.13	2.5
TKR0812	1-1/4	18000	15.75	2.06	7.06	6.38	1.38	3.13
TKR0813	1-1/2	45200	54.75	2.88	10	10.84	2.25	4

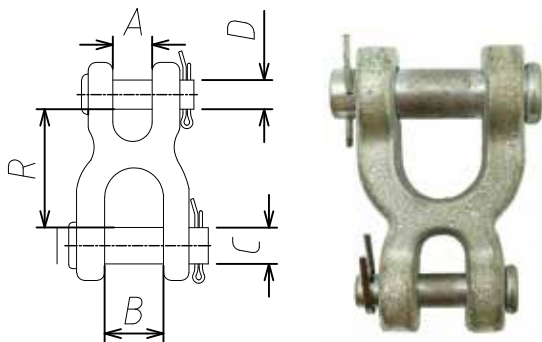


Ring



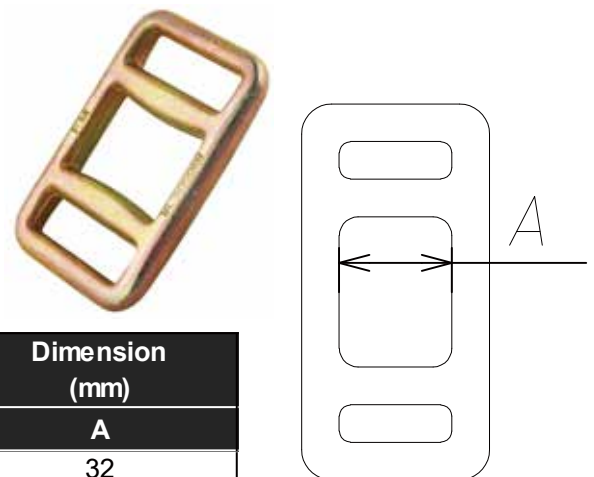
15. Twin Clevis Links

Part No.	Size (in.)	Working Load Limit (lbs.)	Weight (lbs.)	Dimensions(in.)			
				A	R	D	G
TKR0814	1/4-5/16	4700	0.31	0.47	1.56	0.38	0.43
TKR0815	3/8	6600	0.44	0.53	1.81	0.44	0.5
TKR0816	7/16-1/2	11300	0.98	0.98	2.31	0.56	0.63



16. Double Clevis Links

Part No.	Size (in.)	Working Load Limit (lbs.)	Weight (lbs.)	Dimensions(in.)				
				A	B	C	D	R
TKR0817	1/4	2600	0.44	0.5	0.75	0.5	0.31	1.5
TKR0818	5/16-3/8	5400	0.81	0.56	1	0.63	0.44	1.91
TKR0819	7/16	7000	1.287	0.69	1.13	0.69	0.56	2.19
TKR0820	1/2	9200	1.68	0.81	1.25	0.75	0.63	2.47

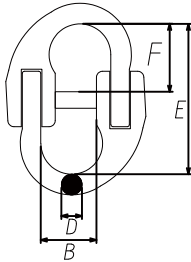


17. One Way Lashing Buckle

Part No.	Size(in.)	WLL(t)	Breaking Strength (t)	Weight (kg)	Dimension (mm)
					A
TKR0821	30-32	3	6	0.225	32
TKR0822	40-42	4	8	0.265	42
TKR0823	50-52	5	10	0.41	52

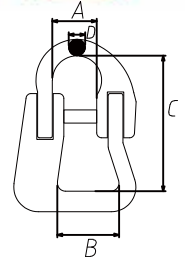


18. G80 Connecting Link



Part NO.	Size (mm)	W.L.L (lbs.)	Weight (lbs.)	Dimensions (in.)			
				B	D	F	E
TKR0824	7	4300	0.26	0.69	0.35	0.81	1.94
TKR0825	8	5700	0.35	0.72	0.35	0.99	2.35
TKR0826	10	8800	0.75	0.9	0.46	1.12	2.7
TKR0827	13	15000	1.6	1.12	0.61	1.44	3.45
TKR0828	16	22600	2.68	1.35	0.75	1.72	4.13
TKR0829	20	35300	5	1.62	0.91	2.03	4.62
TKR0830	22	42700	7.5	2	0.96	2.27	5.46
TKR0831	25	59700	11.03	2.25	1.24	2.44	5.98
TKR0832	32	90400	20.3	2.56	1.52	3.07	7.43

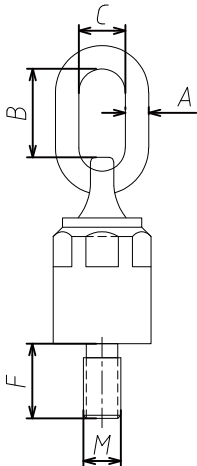
19. G80 Webbing Connecting Link



Part NO.	Sling Body Width (in.)	W.L.L (lbs.)	Weight (lbs.)	Dimensions (in.)			
				A	B	C	D
TKR0833	2	6250	1.14	0.88	2	2.92	0.375
TKR0834	3	12500	2.96	1.42	2.75	3.94	0.625
TKR0835	3	18750	4.75	1.63	2.75	4.46	0.75
TKR0836	4	31250	8.59	2	3.75	5.51	0.875
TKR0837	4	37500	9.24	2	3.75	5.38	0.875
TKR0838	5	50000	15.7	2.25	4.75	6.45	1
TKR0839	6	70000	26	2.56	5.75	7.72	1.25



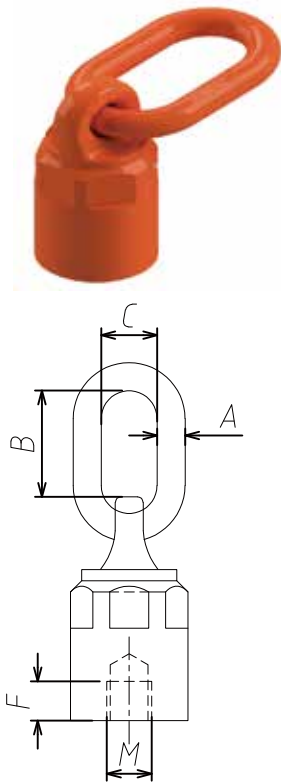
20. Swivel Hoist Ring



Part No.	Size (mm)	Working Load Limit(t)			Weight (kg)	Dimensions(mm)					
		X	Y	Z		A	B	C	F	M	T
TKR0840	M8x1.25-6g	0.3	0.4	0.6	0.54	13	42	30	15	8	125
TKR0841	M10x1.5-6g	0.45	0.6	0.9	0.58	13	42	30	15	10	125
TKR0842	M12x1.75-6g	0.6	0.7	1.2	0.57	13	42	30	15	12	125
TKR0843	M14x2.0-6g	1	1.25	2	0.56	13	42	30	20	14	125
TKR0844	M16x2.0-6g	1.3	1.5	2.6	0.6	13	42	30	20	16	125
TKR0845	M18x2.5-6g	1.8	2	3.6	3	20	67	40	25	18	195
TKR0846	M20x2.5-6g	2.15	2.5	4.2	3	20	67	40	25	20	195
TKR0847	M22x2.5-6g	2.15	2.5	4.2	3	20	67	40	25	22	195
TKR0848	M24x3.0-6g	3.5	4	7	3	20	67	40	30	24	195
TKR0849	M30x3.5-6g	6	7.5	10	4.8	22	95	51	40	30	259
TKR0850	M33x3.5-6g	6	7.5	10	4.8	22	95	51	40	33	259
TKR0851	M36x4.0-6g	8	10	15	4.9	22	95	51	45	36	259
TKR0852	M39x4.0-6g	8	10	15	4.8	22	95	51	45	39	259
TKR0853	M42x4.5-6g	12	13	17	8	26	108	63	63	42	293
TKR0854	M45x4.5-6g	12	13	17	8	26	108	63	68	45	298
TKR0855	M48x5.0-6g	13	16	18	7.8	26	108	63	68	48	298
TKR0856	M52x5.0-6g	14	20	25	13.8	32	120	70	84	52	362
TKR0857	M56x5.5-6g	16	22	28	13.5	32	120	70	84	56	362
TKR0858	M60x5.5-6g	16	22	28	13.1	32	120	70	90	60	368
TKR0859	M64x6.0-6g	16	25	28	12.8	32	120	70	95	64	373
TKR0860	M72x6.0-6g	31.5	40	50	43	46	130	90	108	72	448
TKR0861	M80x6.0-6g	35	48	50	44	46	130	90	120	80	460
TKR0862	M90x6.0-6g	40	50	50	44	46	130	90	135	90	475
TKR0863	M100x6.0-6g	40	50	50	44	46	130	90	135	100	475

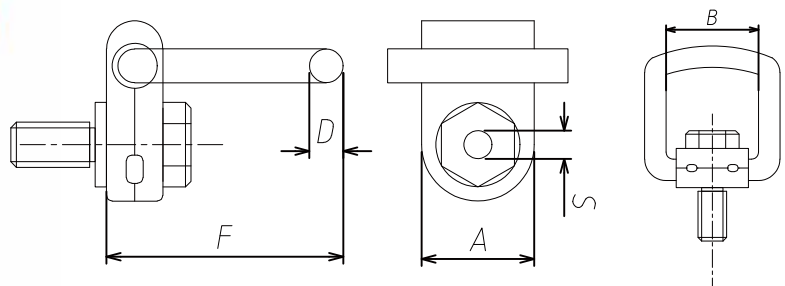
Ring

21. Swivel Hoist Ring- Nut Type



Part No.	Size(mm)	Working Load Limit(t)			Weight (kg)	Dimensions (mm)				
		X	Y	Z		A	B	C	M	T
TKR0864	M8x1.25-6g	0.3	0.4	0.6	0.54	13	42	30	8	125
TKR0865	M10x1.5-6g	0.45	0.6	0.9	0.58	13	42	30	10	125
TKR0866	M12x1.75-6g	0.6	0.7	1.2	0.57	13	42	30	12	125
TKR0867	M14x2.0-6g	1	1.25	2	0.56	13	42	30	14	125
TKR0868	M16x2.0-6g	1.3	1.5	2.6	0.6	13	42	30	16	125
TKR0869	M18x2.5-6g	1.8	2	3.6	3	20	67	40	18	195
TKR0870	M20x2.5-6g	2.15	2.5	4.2	3	20	67	40	20	195
TKR0871	M22x2.5-6g	2.15	2.5	4.2	3	20	67	40	22	195
TKR0872	M24x3.0-6g	3.5	4	7	3	20	67	40	24	195
TKR0873	M30x3.5-6g	6	7.5	10	4.8	22	95	51	30	259
TKR0874	M33x3.5-6g	6	7.5	10	4.8	22	95	51	33	259
TKR0875	M36x4.0-6g	8	10	15	4.9	22	95	51	36	259
TKR0876	M39x4.0-6g	8	10	15	4.8	22	95	51	39	259
TKR0877	M42x4.5-6g	12	13	17	8	26	108	63	42	293
TKR0878	M45x4.5-6g	12	13	17	8	26	108	63	45	298
TKR0879	M48x5.0-6g	13	16	18	7.8	26	108	63	48	298
TKR0880	M52x5.0-6g	14	20	25	13.8	32	120	70	52	362
TKR0881	M56x5.5-6g	16	22	28	13.5	32	120	70	56	362
TKR0882	M60x5.5-6g	16	22	28	13.1	32	120	70	60	368
TKR0883	M64x6.0-6g	16	25	28	12.8	32	120	70	64	373
TKR0884	M72x6.0-6g	31.5	40	50	43	46	130	90	72	448
TKR0885	M80x6.0-6g	35	48	50	44	46	130	90	80	460
TKR0886	M90x6.0-6g	40	50	50	44	46	130	90	90	475
TKR0887	M100x6.0-6g	40	50	50	44	46	130	90	100	475

22. Lifting Point



Part No.	Size(mm)	Thread	Working Load Limit (t)	Weight (kg)	Dimensions(mm)				
					A	B	D	F	S
TKR0888	M8x1.25-6g	M8	0.3	0.5	33	37	14	98	6
TKR0889	M10x1.5-6g	M10	0.63	0.5	33	37	14	98	6
TKR0890	M12x1.75-6g	M12	1	0.5	33	37	14	98	8
TKR0891	M14x2.0-6g	M14	1.2	0.5	33	37	14	98	10
TKR0892	M16x2.0-6g	M16	1.5	0.5	33	37	14	98	10
TKR0893	M18x2.5-6g	M18	2	1.3	50	54	17	140	12
TKR0894	M20x2.5-6g	M20	2.5	1.3	50	54	17	140	12
TKR0895	M24x3.0-6g	M24	4	1.4	50	54	17	140	14
TKR0896	M27x3.0-6g	M27	4	2.8	60	65	23	170	17
TKR0897	M30x3.5-6g	M30	5	3.1	60	65	23	170	17
TKR0898	M36x4.0-6g	M36	7	3.3	60	65	23	178	22
TKR0899	M39x4.0-6g	M39	8	5.8	77	85	27	225	22
TKR0900	M42x4.5-6g	M42	10	6.3	77	85	27	225	24
TKR0901	M45x4.5-6g	M45	15	10.8	95	104	36	256	24
TKR0902	M48x5.0-6g	M48	20	11.6	95	104	36	259	27